

FLEX FILMS (USA) INC.
 1221 NORTH BLACK BRANCH ROAD
 ELIZABETHTOWN, KENTUCKY 42702

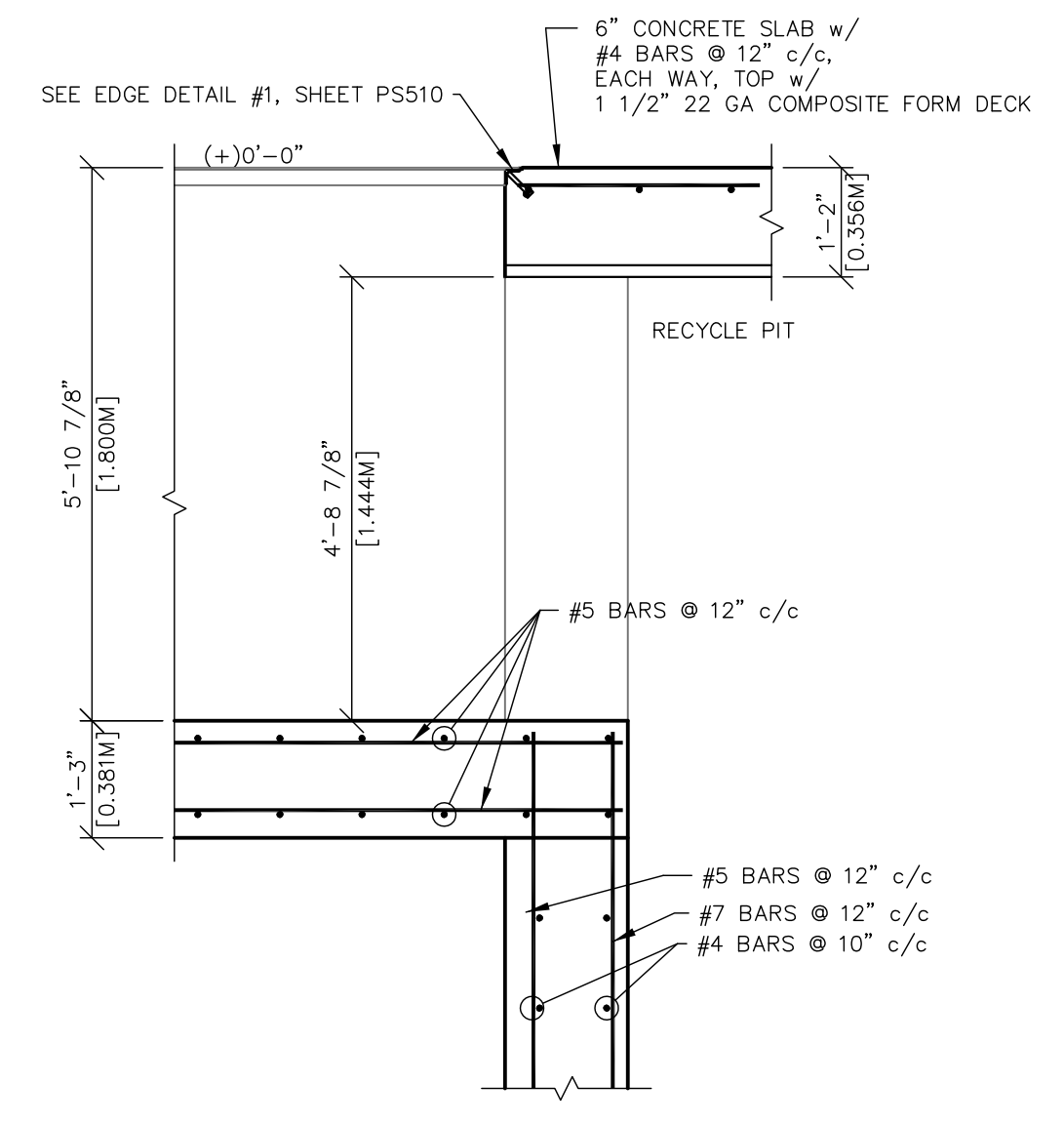
PROJECT L-12 BOPET U.S.A.

DATE	REVISION	NUMBER	DESCRIPTION
01-11-11	1	01-04-12	REVISED PER COMMENTS
01-11-11	2	01-04-12	REVISED PER COMMENTS
01-04-12	3	01-04-12	REVISED PER COMMENTS

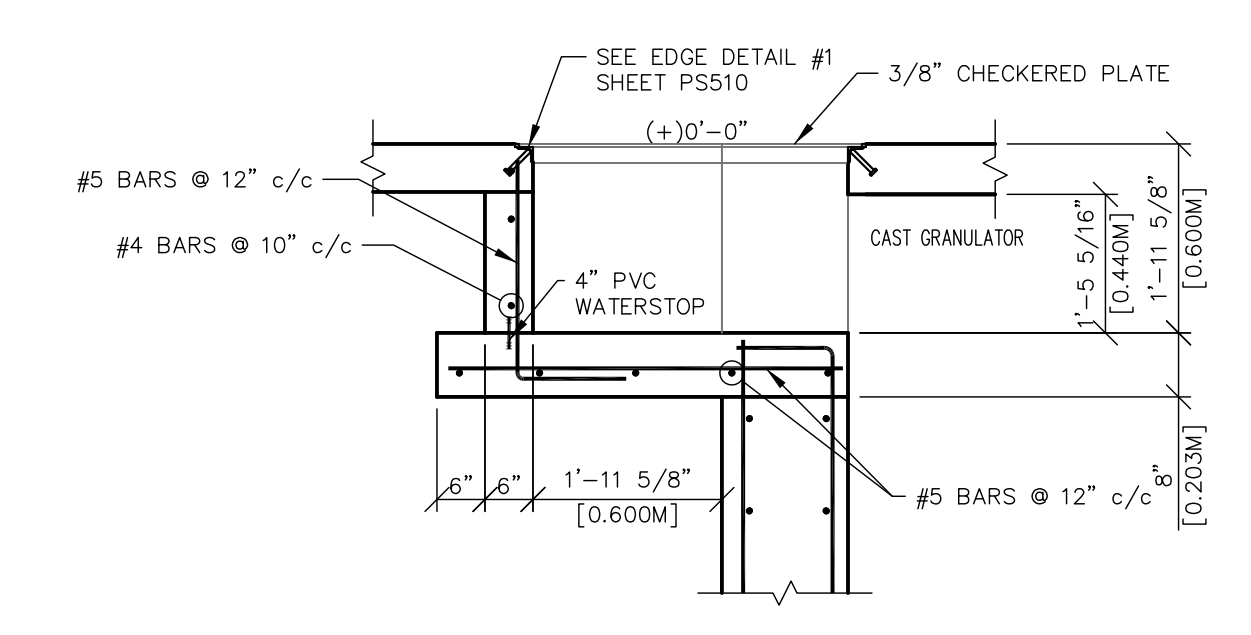
PROJECT NO. 85294-02	DESIGNED BY EPH	CHECKED BY EPH	DRAWN BY GPT/EFH
DATE JULY 2011	SCALE AS NOTED	REVIEWED BY	BY

nse Engineers
 Architects
 Planners
OF KENTUCKY, INC.
 624 Wellington Way
 Lexington, KY 40503
 Phone: (606) 223-5694
 Fax: (606) 223-5697
 www.nseinc.com

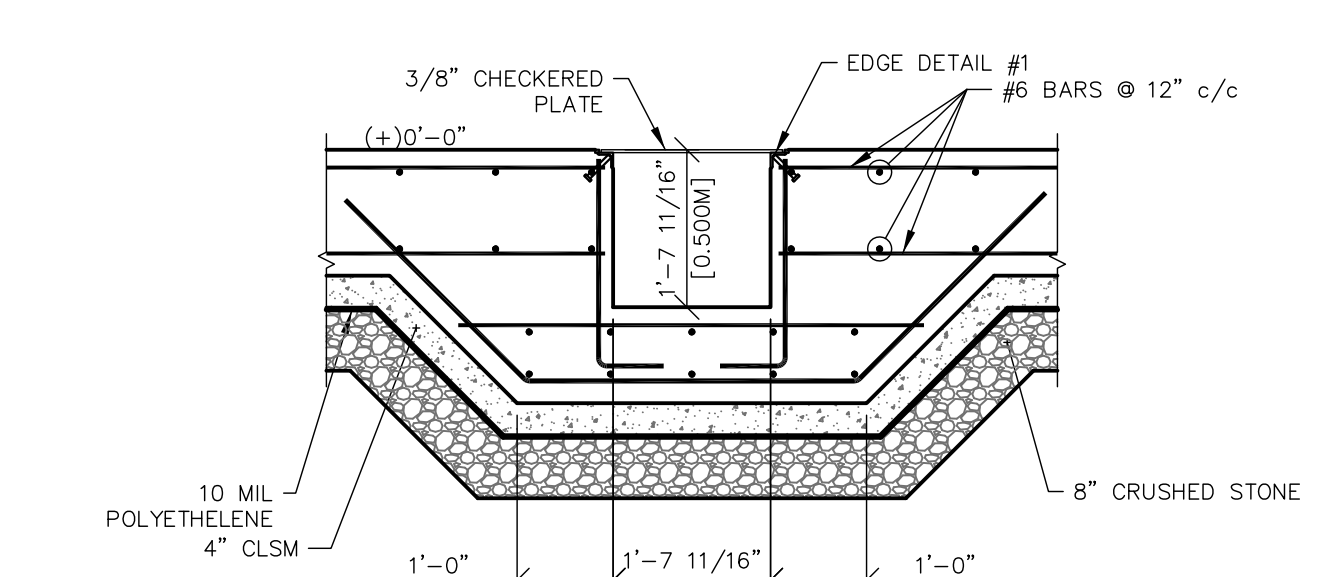
DRAWING NO.
UFL-L12
PS-511



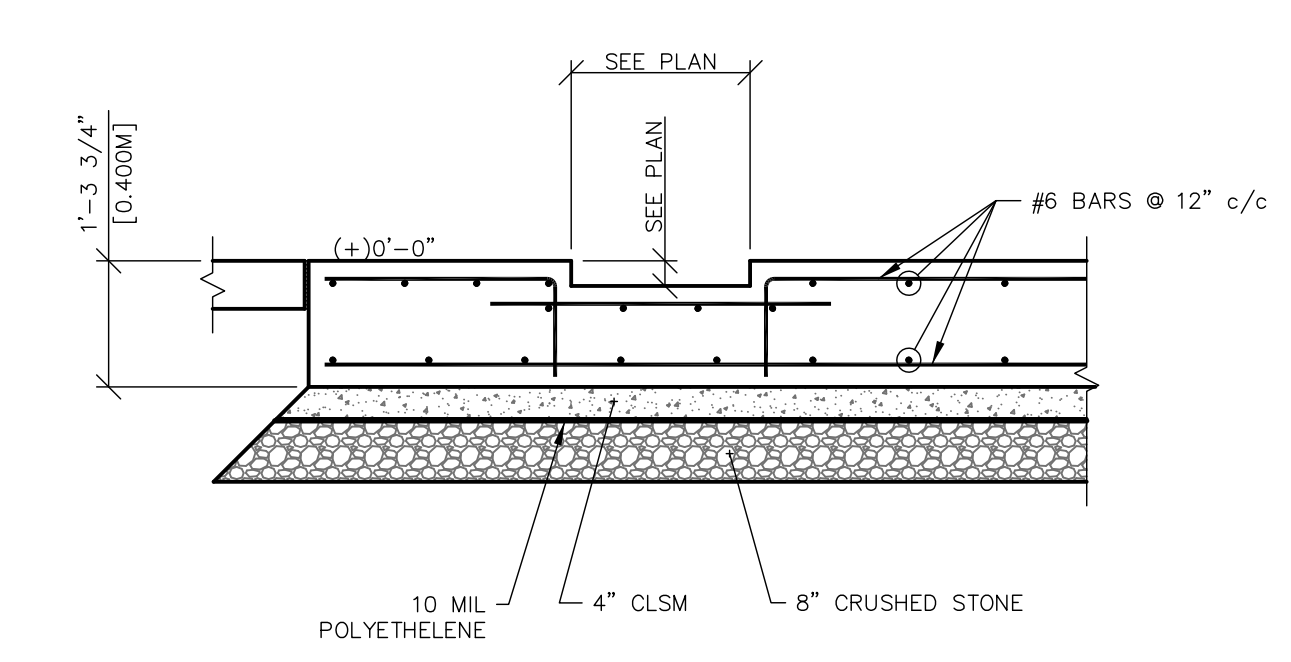
8 SECTION
 PS511 RECYCLE PIT



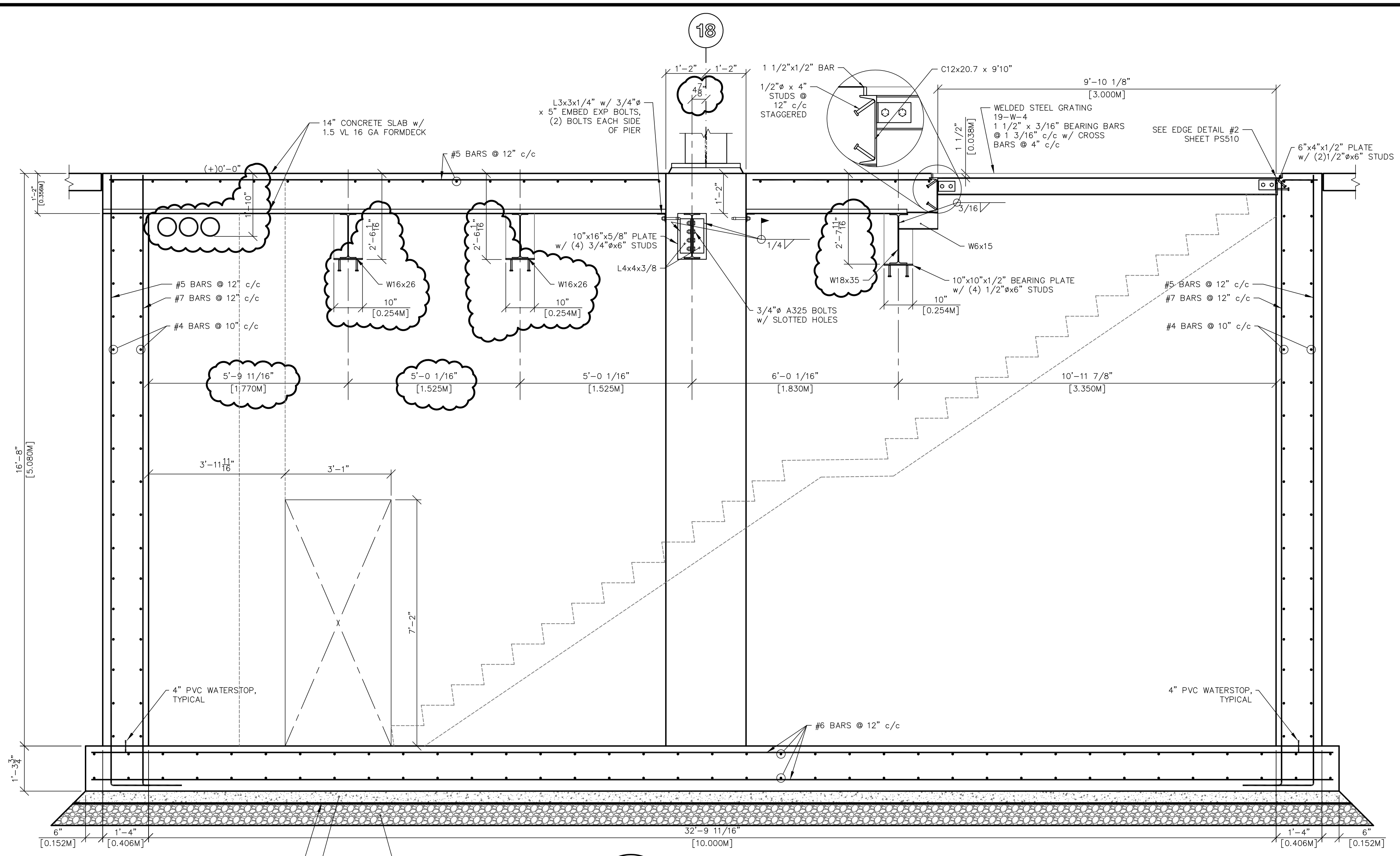
9 SECTION
 PS511 CAST GRANULATOR



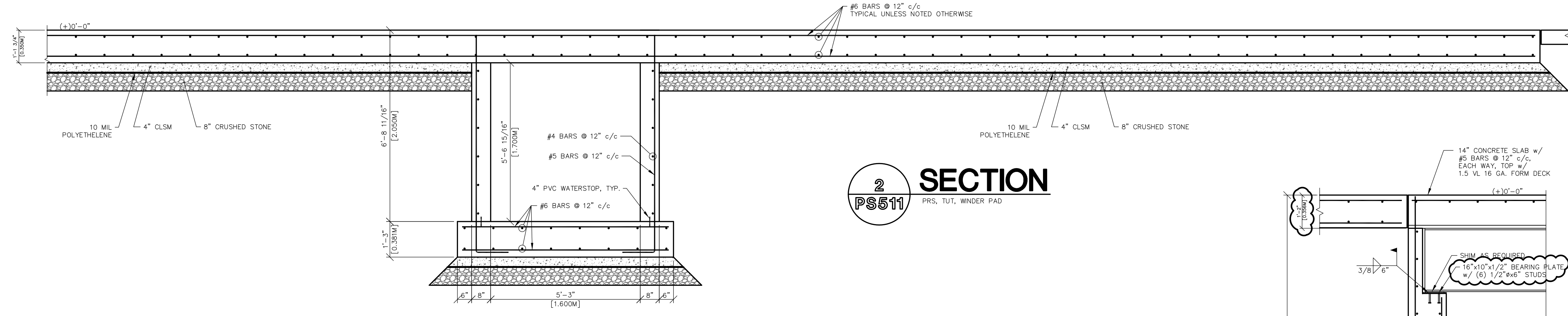
10 SECTION
 PS511 P. SLITTER



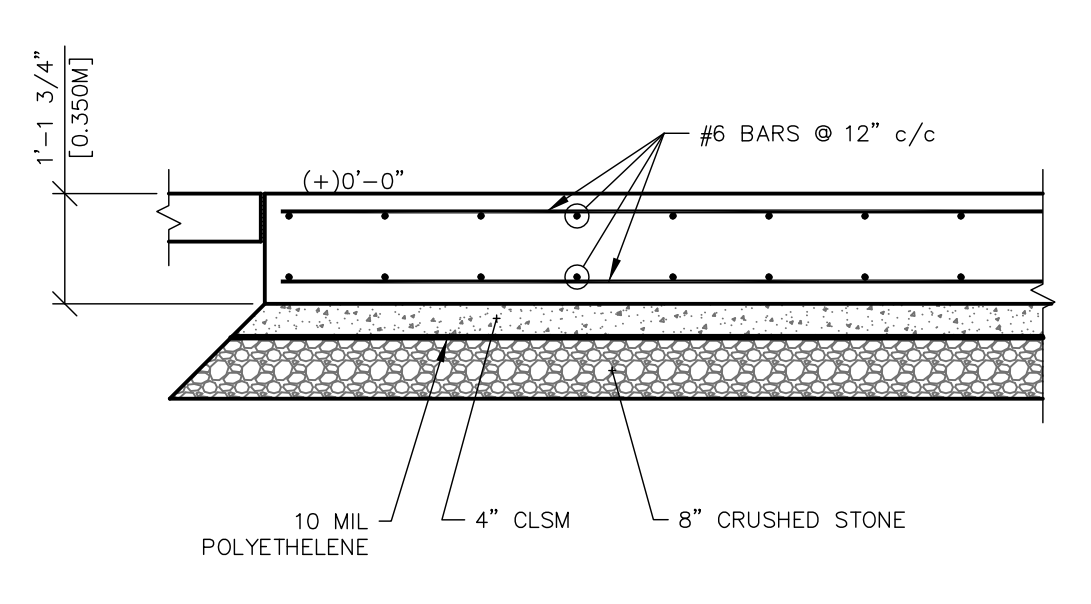
11 SECTION
 PS511 P. SLITTER



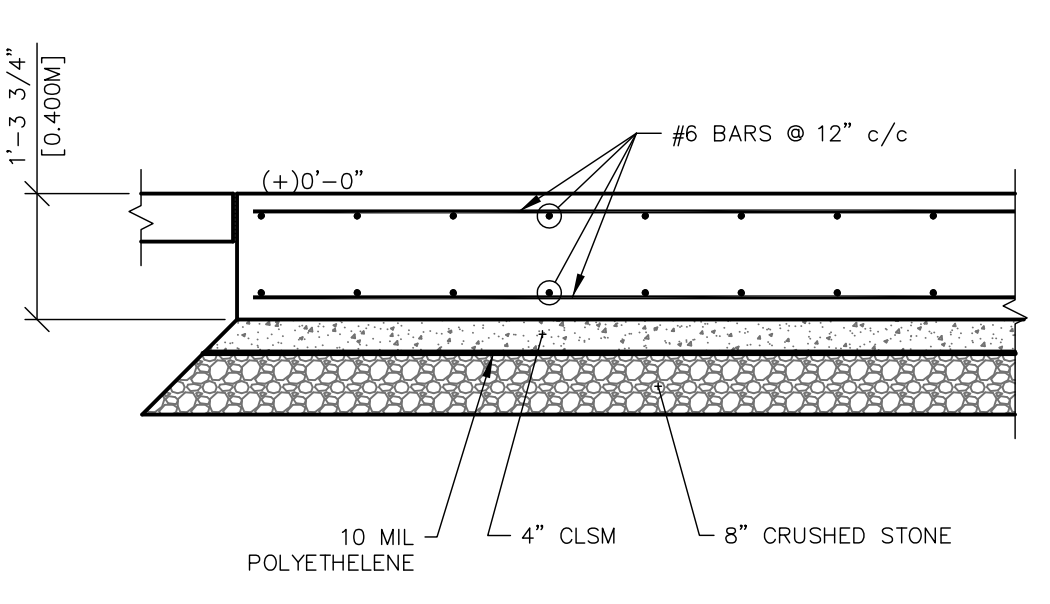
1 SECTION
 PS511 RECYCLE PIT



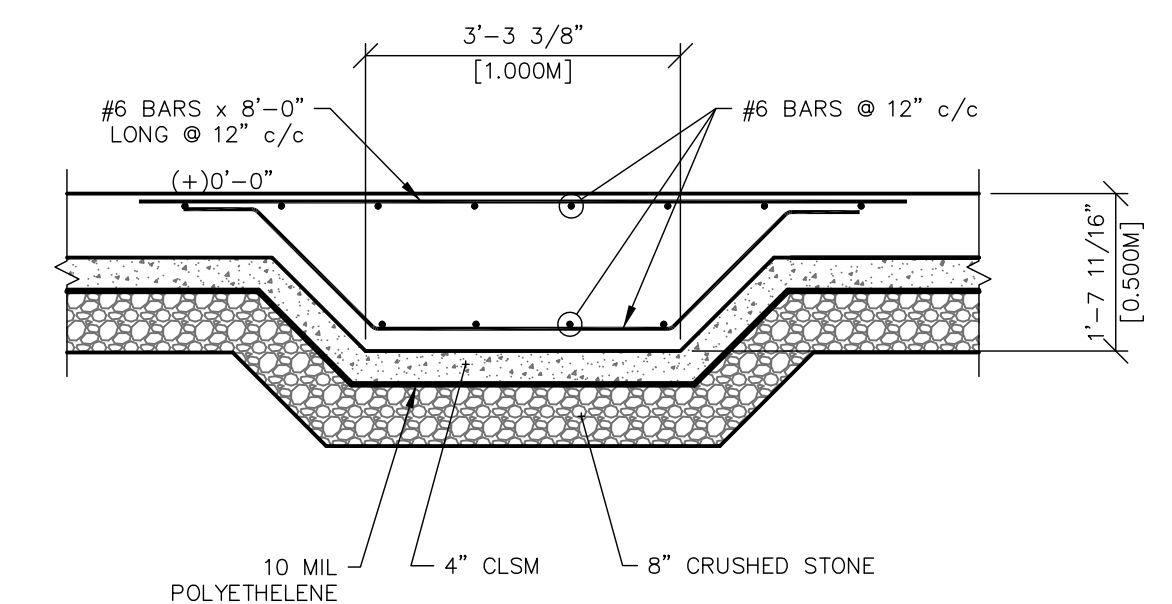
2 SECTION
 PS511 PRS, TUI, WINDER PAD



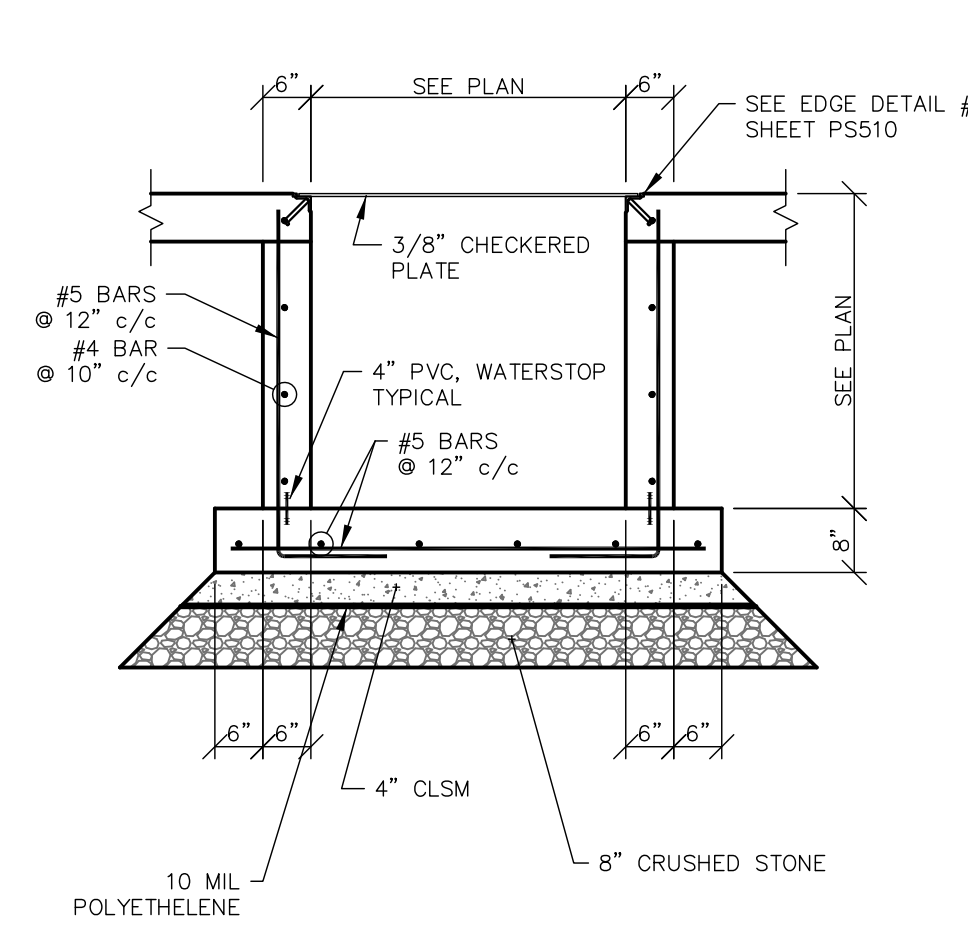
3 SECTION
 PS511 TIDU PAD, S. SLITTER



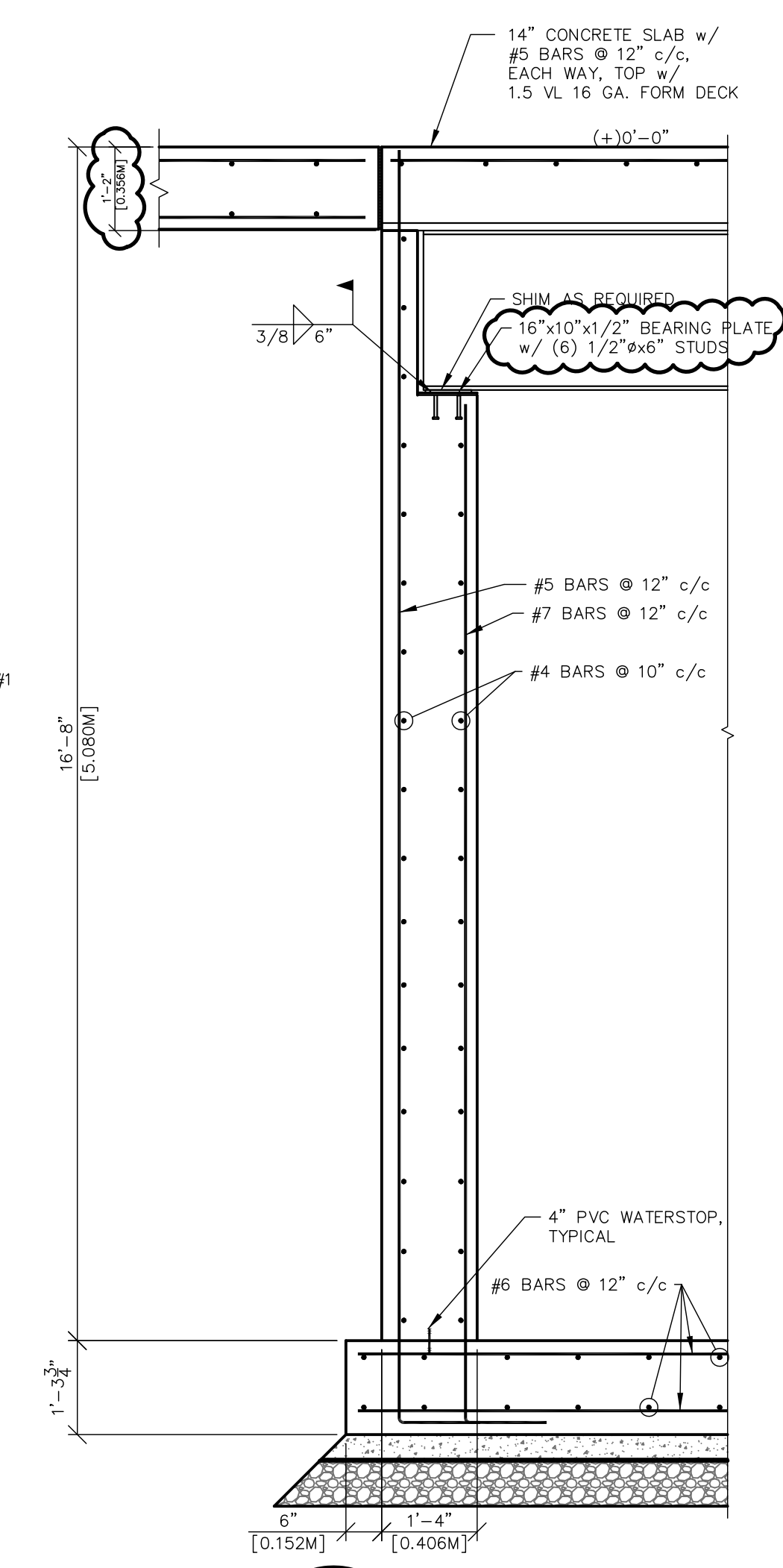
4 SECTION
 PS511 P. SLITTER, GRINDER PAD



5 SECTION
 PS511 JUMBO STAND



6 SECTION
 PS511



7 SECTION
 PS511 RECYCLE PIT

EQUIPMENT FOUNDATION SECTIONS